
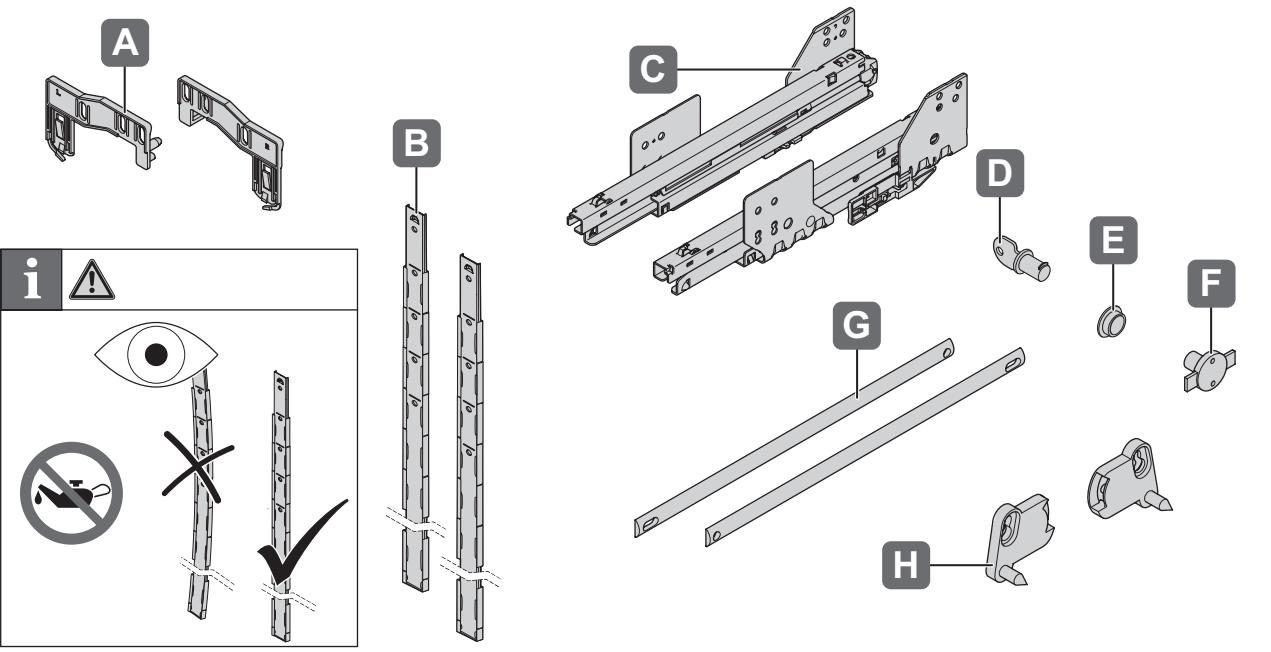





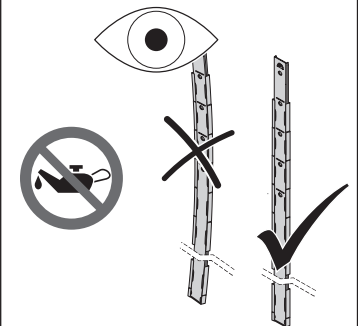
Variant S

237.88.5xx	425.71.2xx
237.88.6xx	425.71.3xx
425.12.272	425.71.902
425.12.273	425.71.921
425.12.372	425.72.67x
425.12.373	429.24.232
425.56.040	429.24.336
425.70.2xx	429.42.280
425.70.3xx	429.42.380

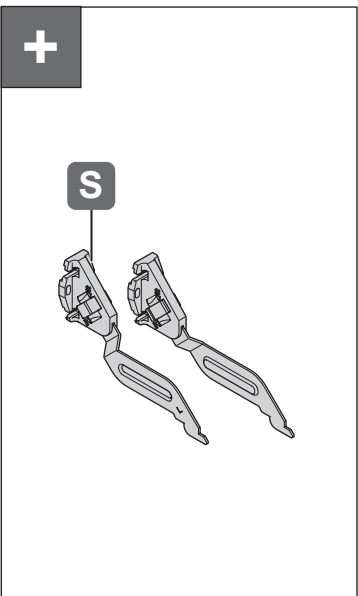



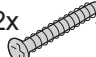







i 

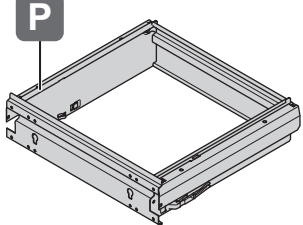


+

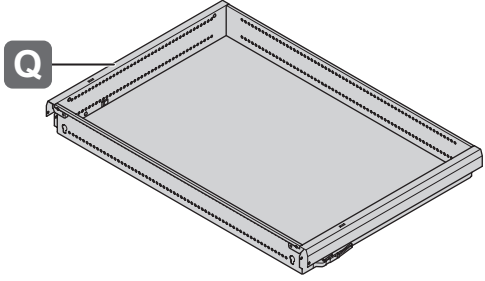


2x 	I 262.34.952	2x 	L 015.31.844
4x 	J 015.71.633	2x 	M 013.10.149
2x 	K 013.10.190	2x 	N 015.71.633
		6x 	O 013.20.930

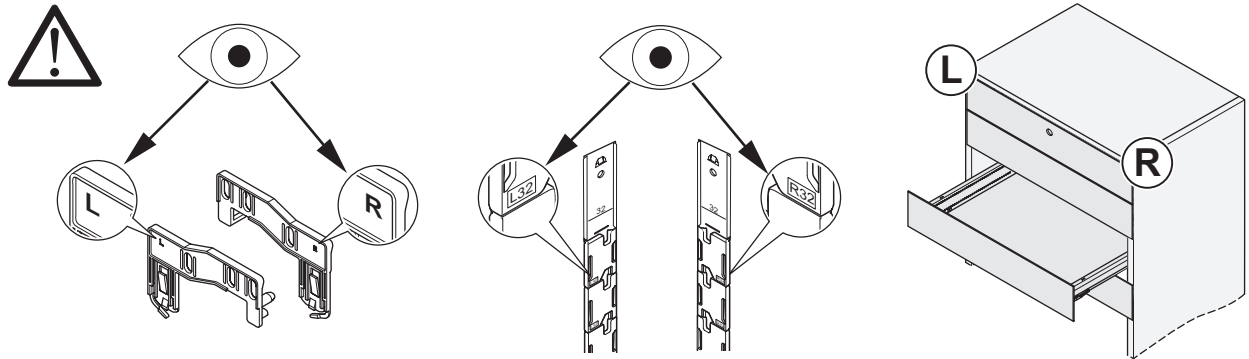
P



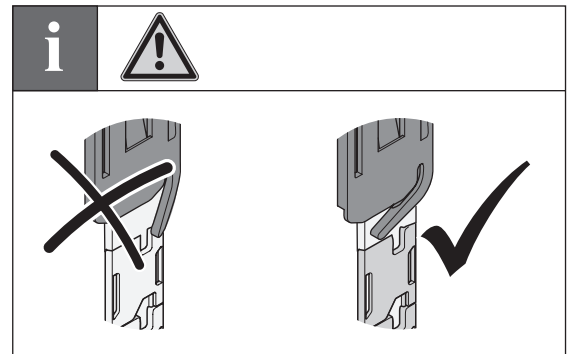
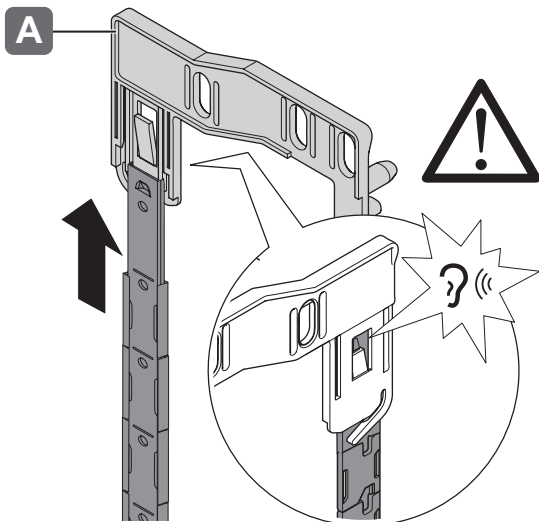
Q



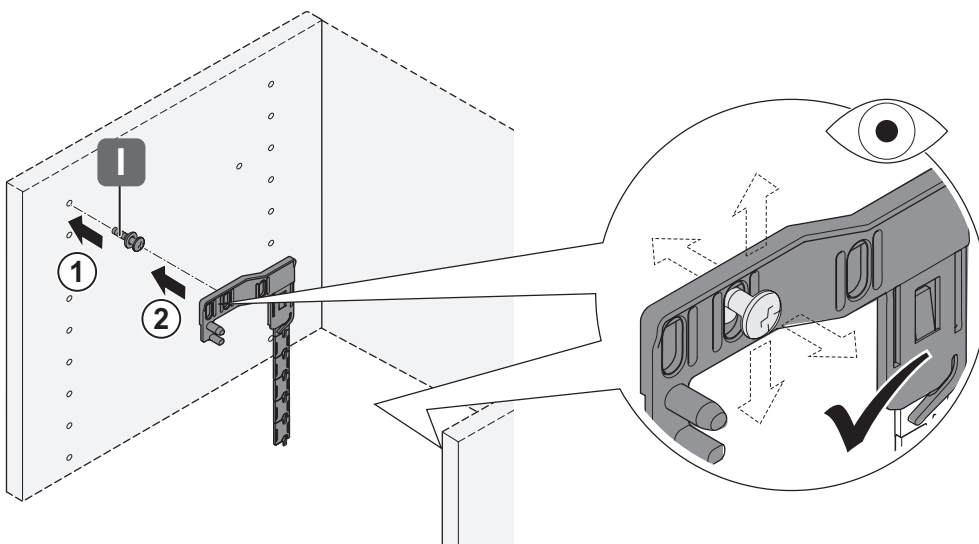
i



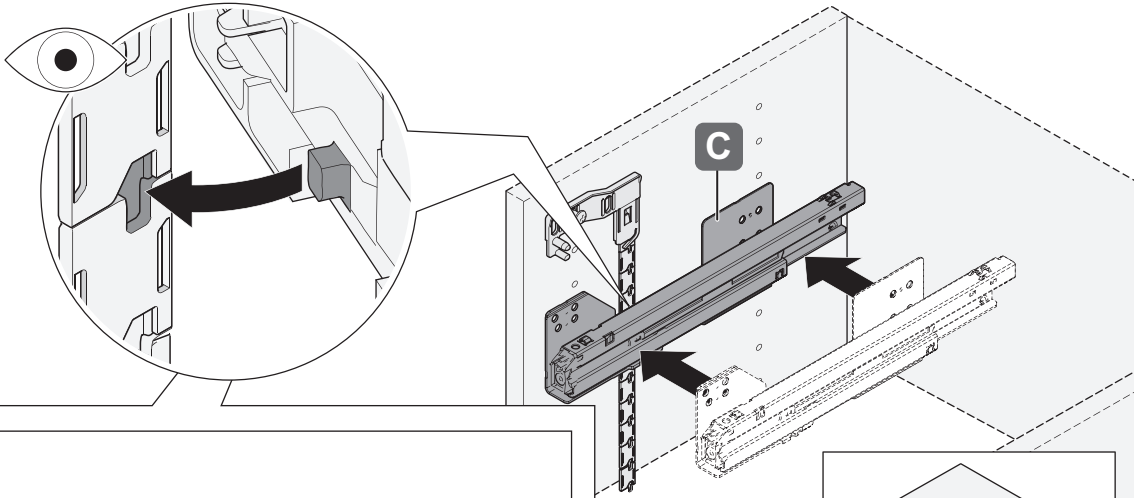
1



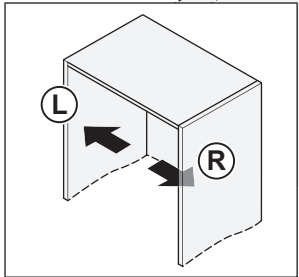
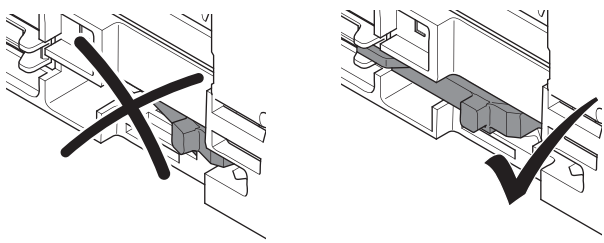
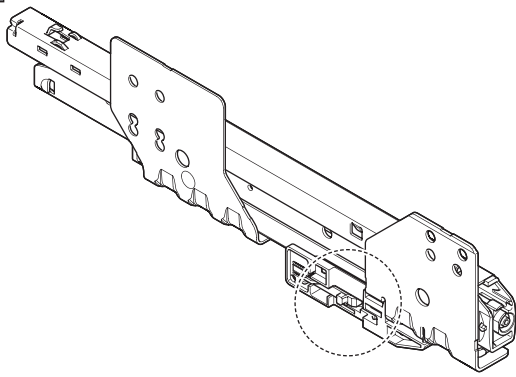
2



3

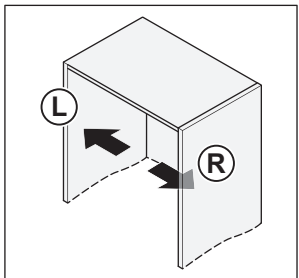
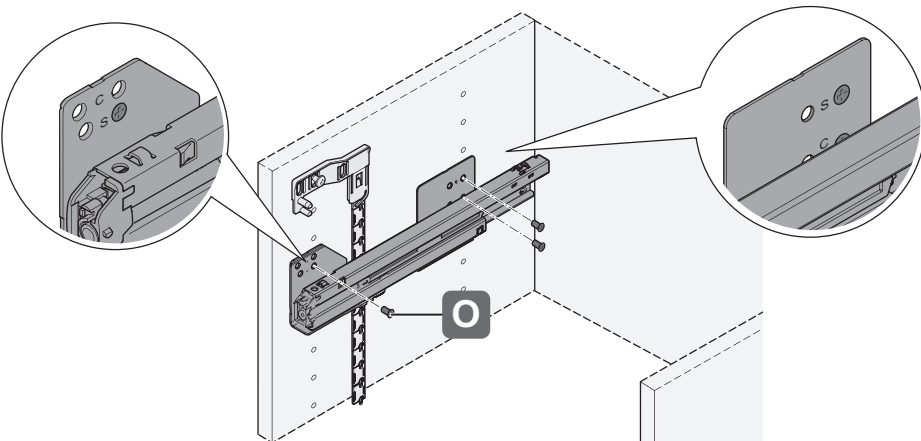


i



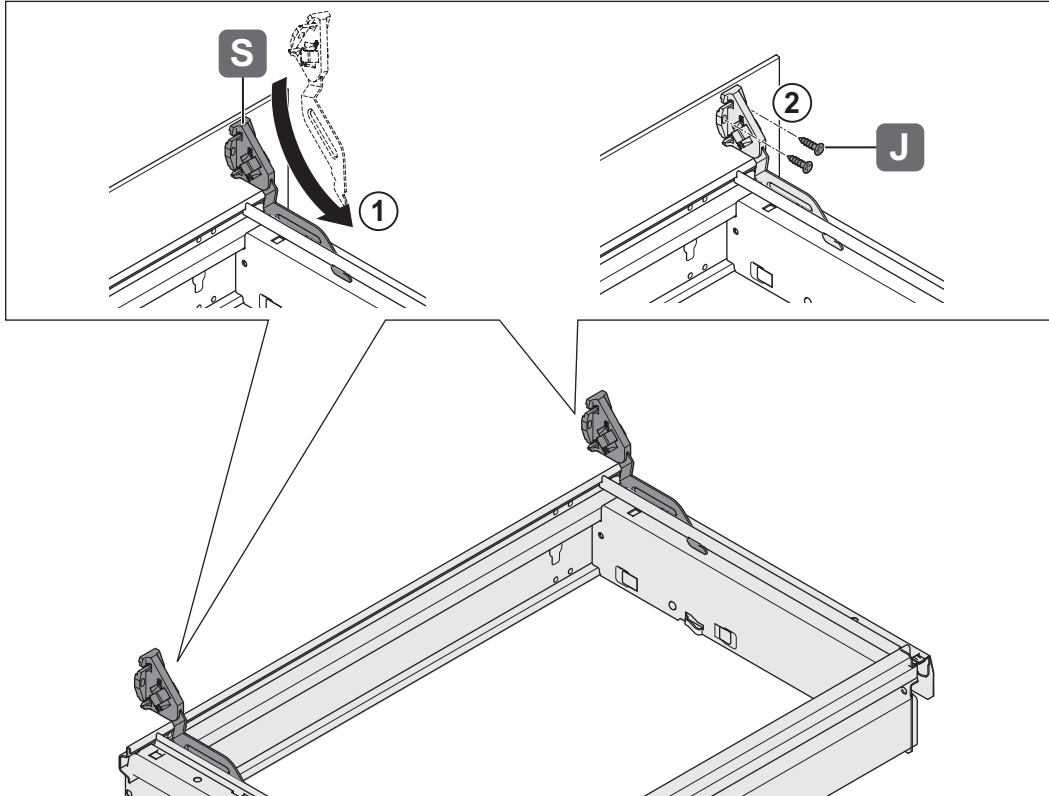
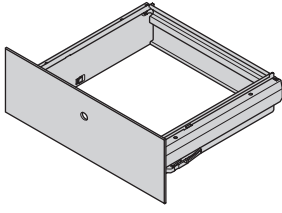
732.24.205

4

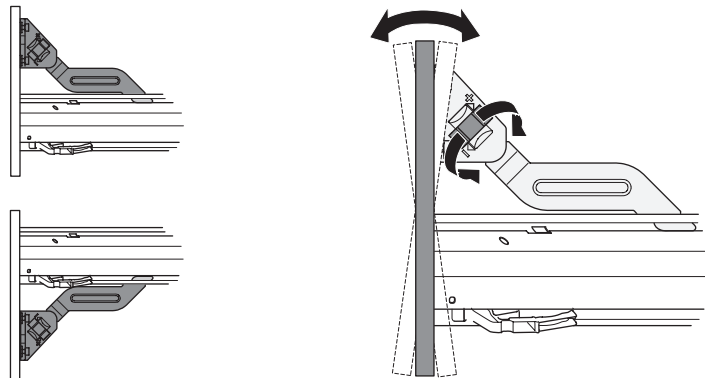
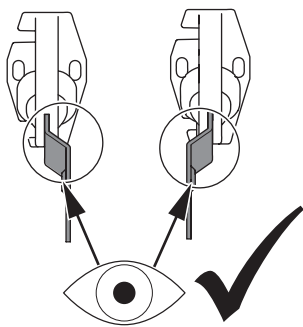


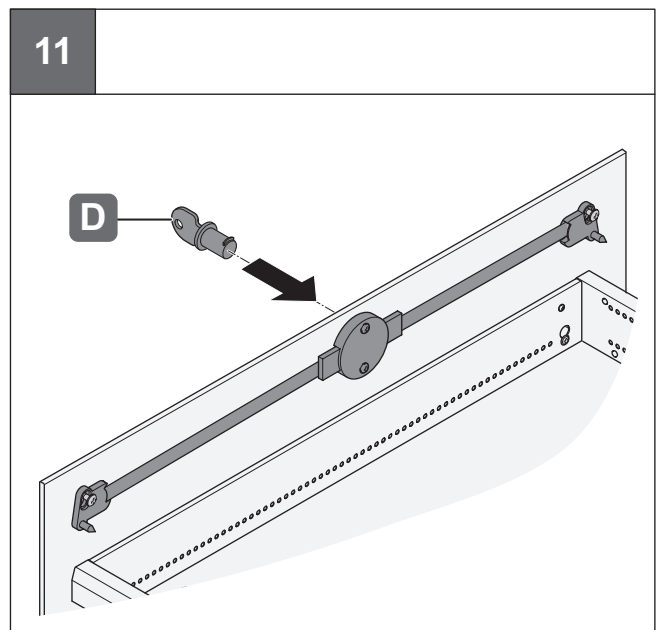
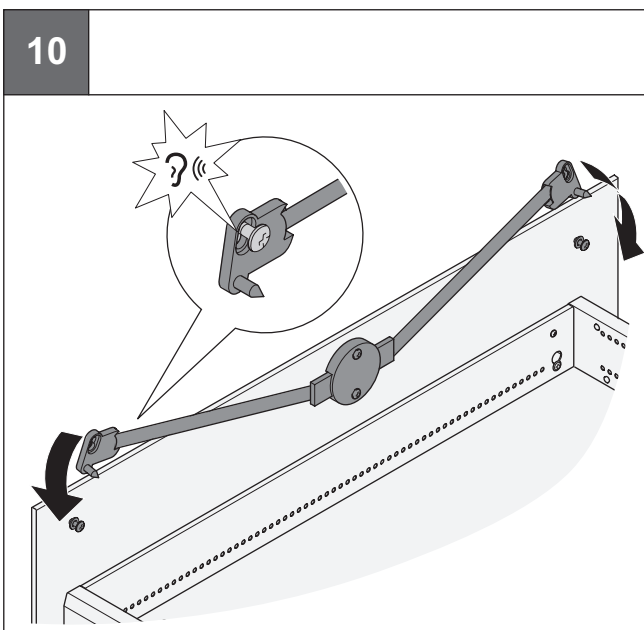
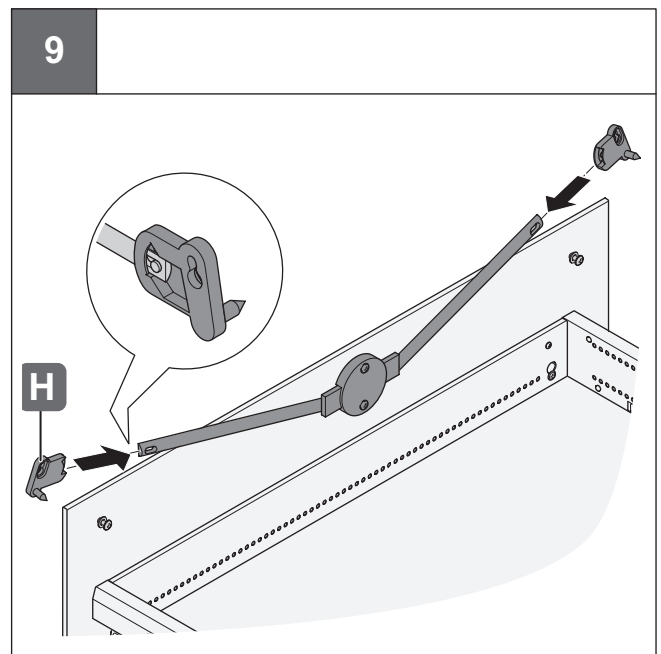
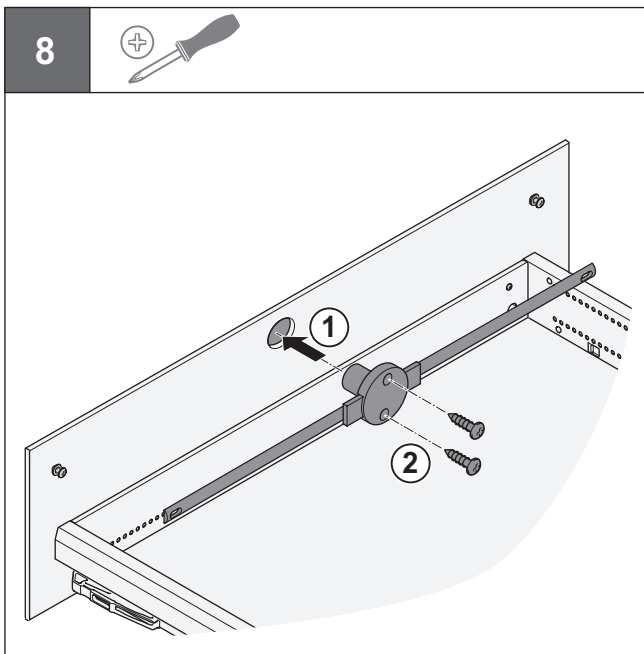
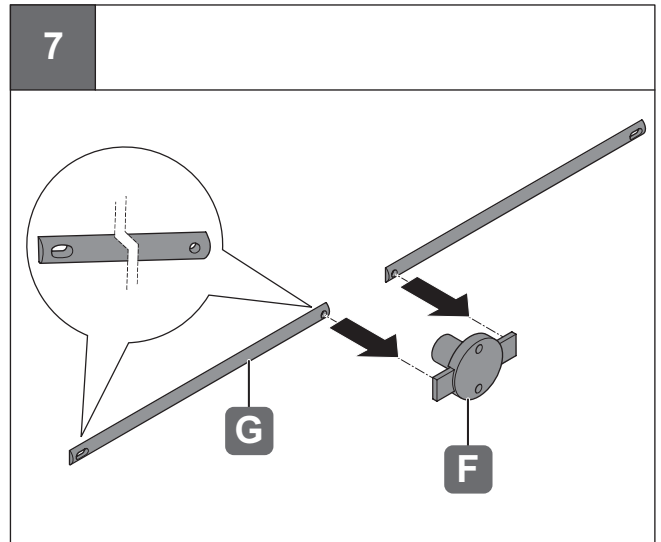
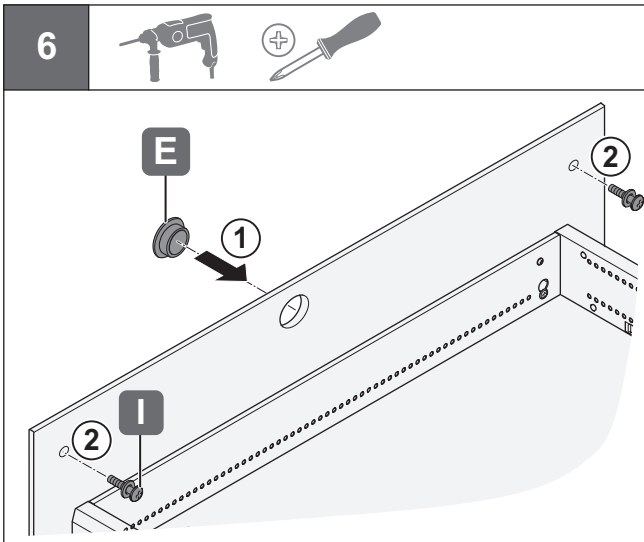
HDE 30.09.2022

5

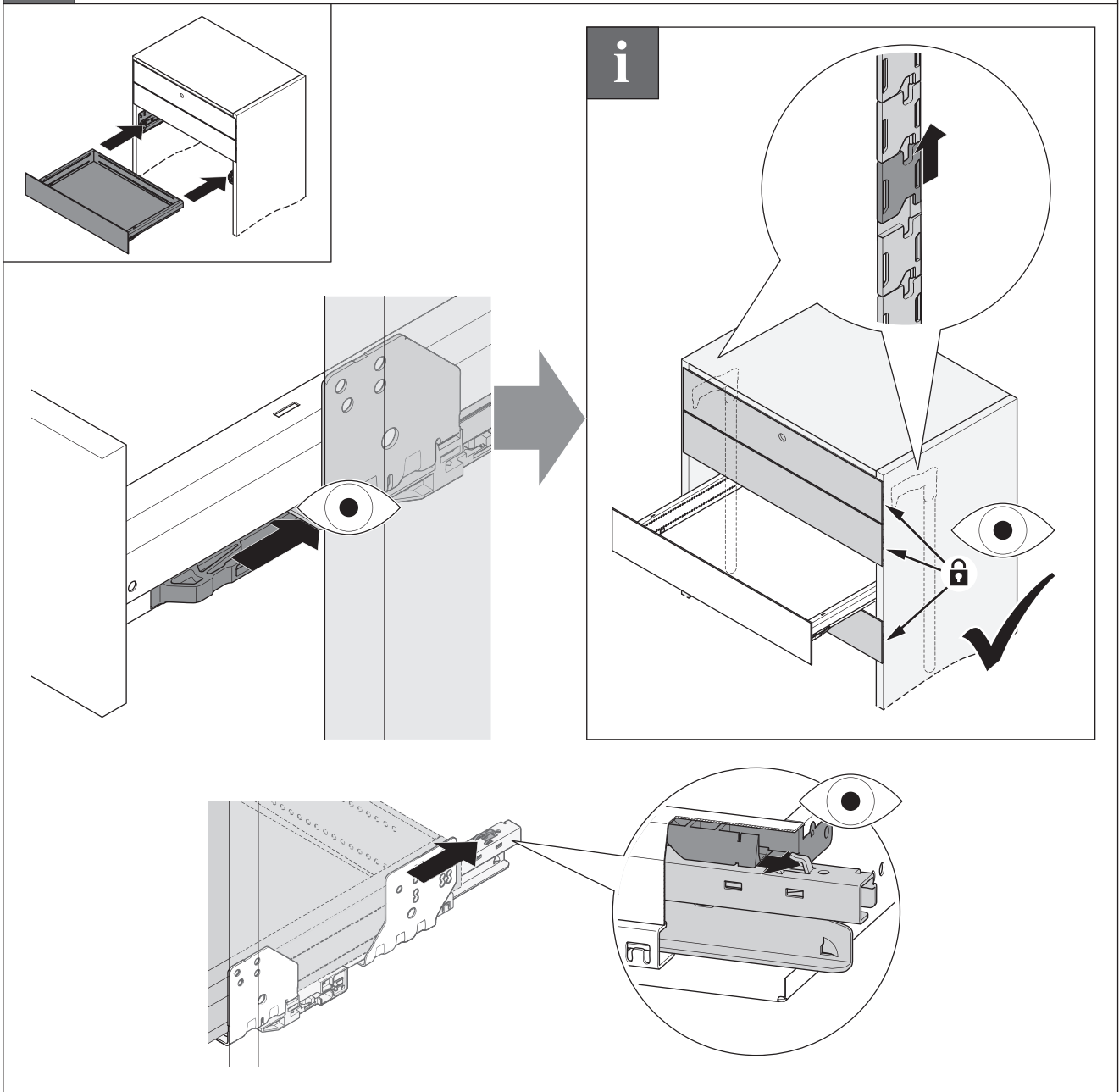


i



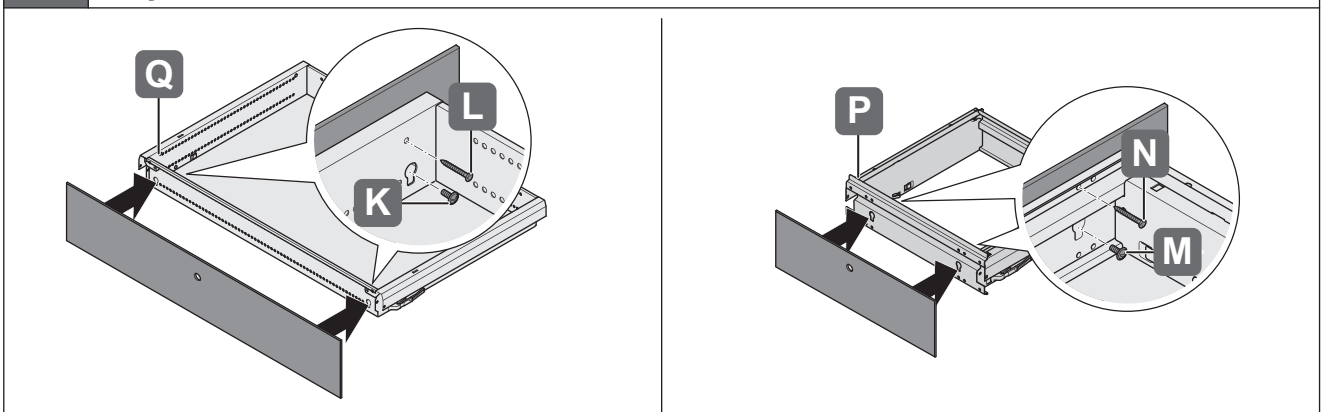


12



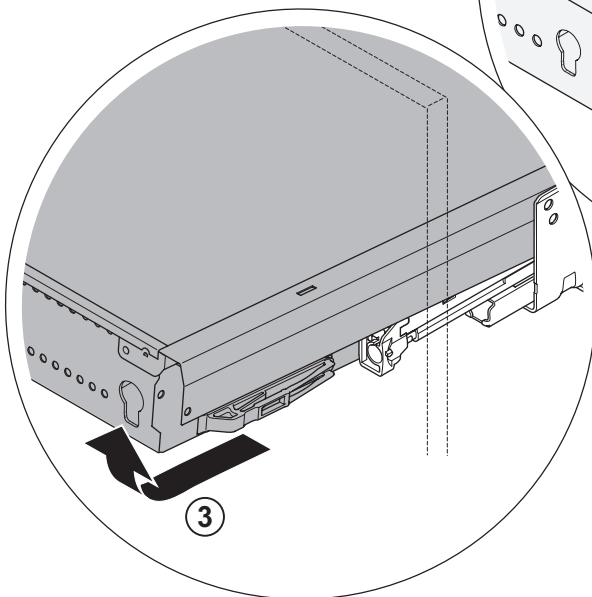
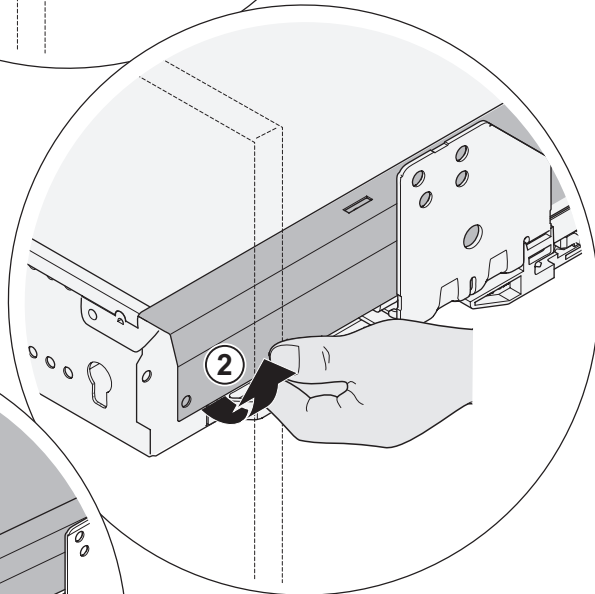
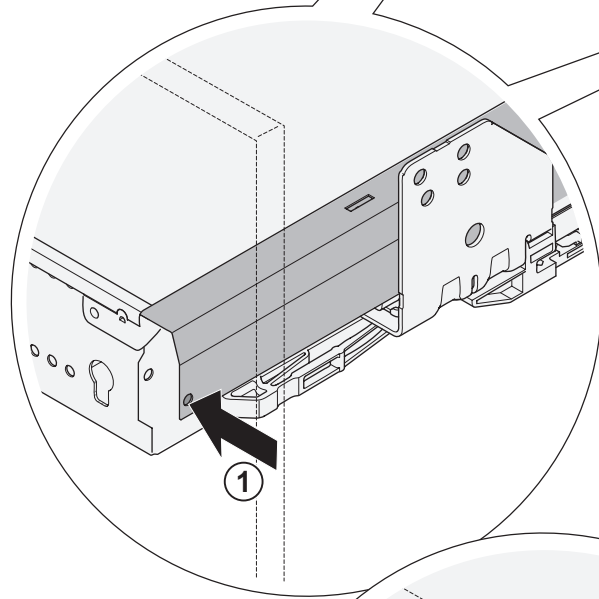
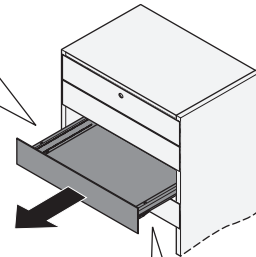
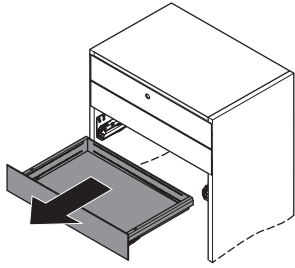
732.24.205

13

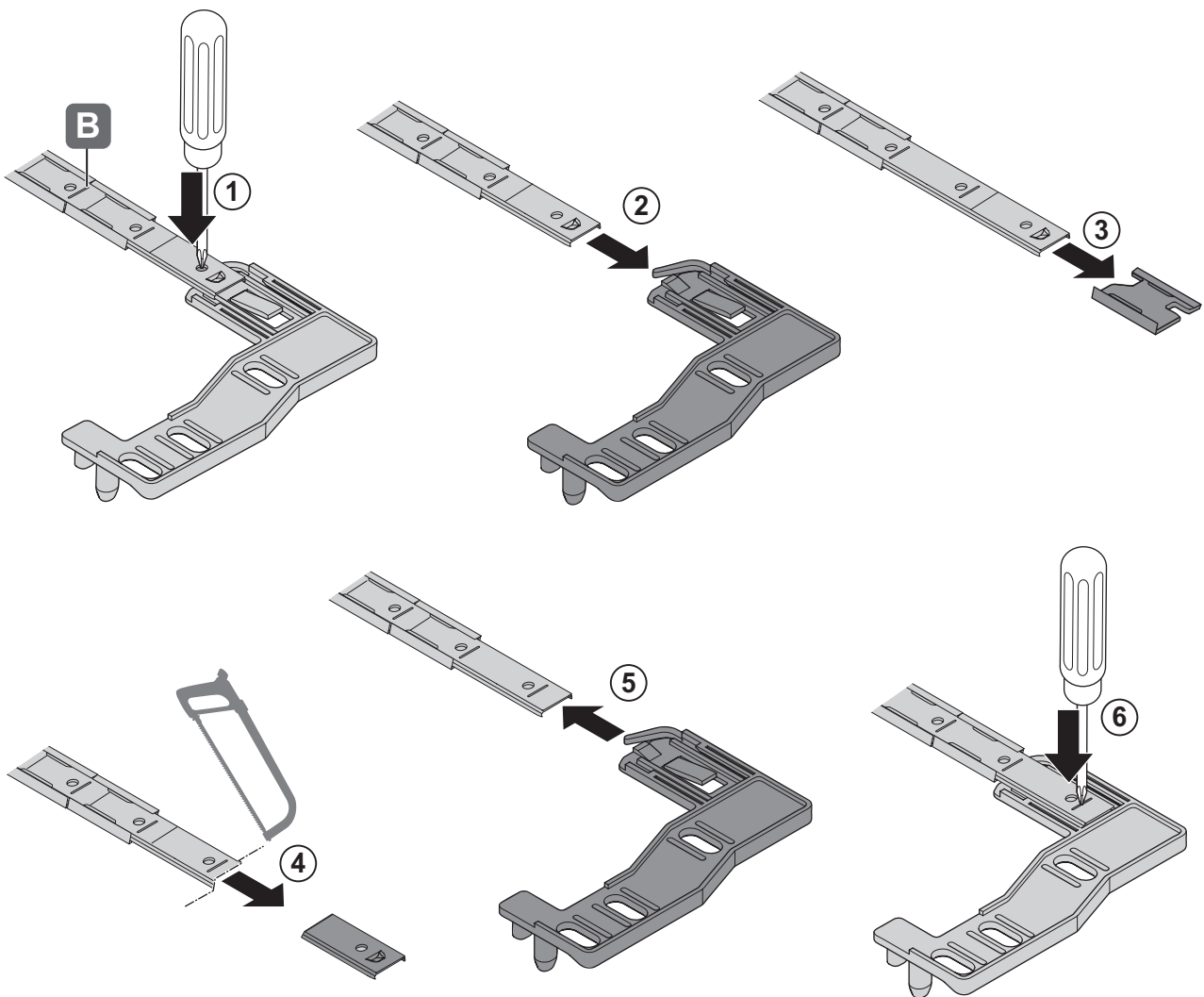
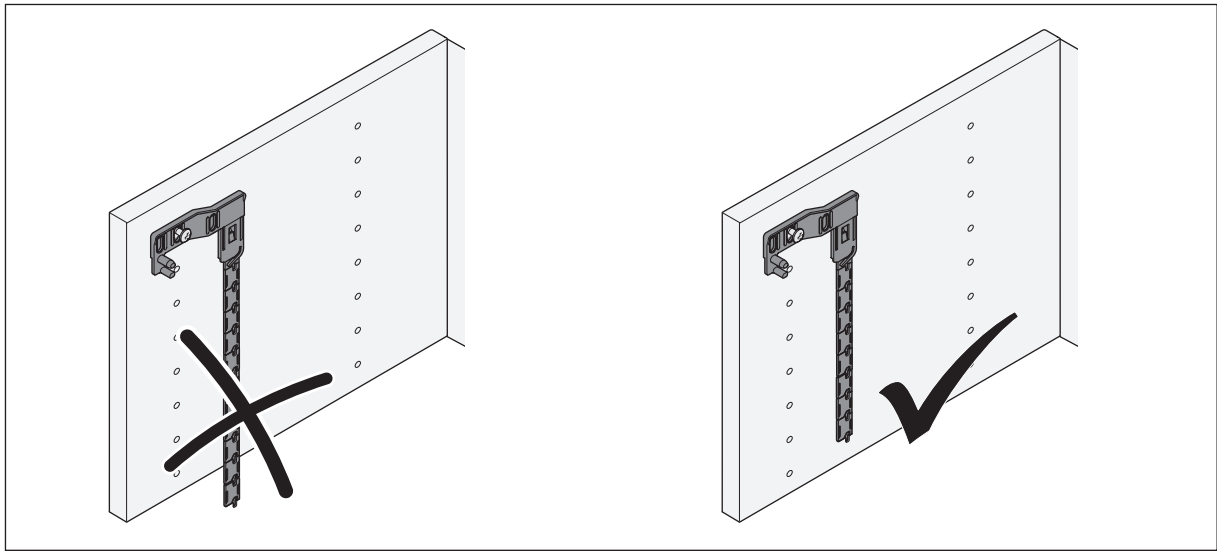


HDE 30.09.2022

i



i



732.24.205

HDE 30.09.2022