

2 x (A) connector

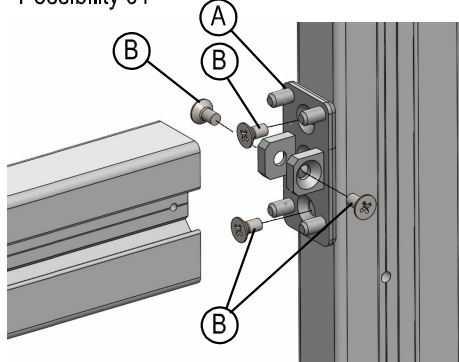
8 x (B) screws M4x8 

2 x (B) metal connector

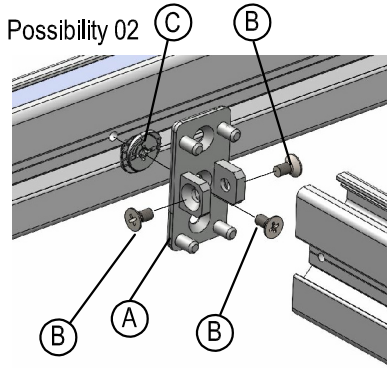
# HÄFELE

806.54.330

Possibility 01



Possibility 02



2 x (A) connector

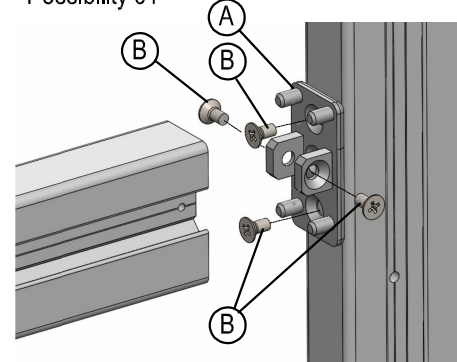
8 x (B) screws M4x8 

2 x (B) metal connector

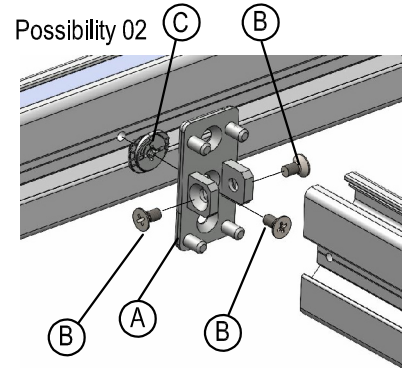
# HÄFELE

806.54.330

Possibility 01



Possibility 02



787A20\_787A35\_230126\_V00

787A20\_787A35\_230126\_V00

Subject to alterations

© 2023 by Häfele SE & Co KG  
Adolf-Häfele-Str. 1 · D-72202 Nagold · www.hafele.com

Subject to alterations

© 2023 by Häfele SE & Co KG  
Adolf-Häfele-Str. 1 · D-72202 Nagold · www.hafele.com

2 x (A) connector

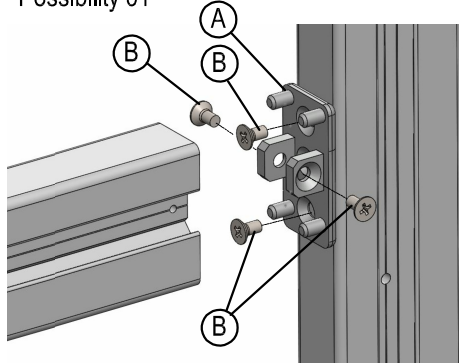
8 x (B) screws M4x8 

2 x (B) metal connector

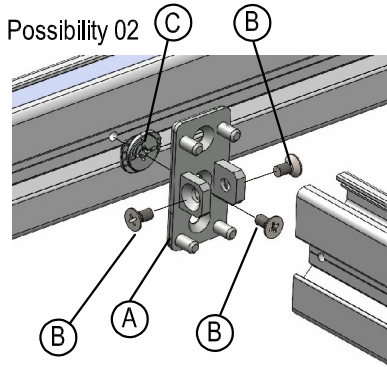
# HÄFELE

806.54.330

Possibility 01



Possibility 02



2 x (A) connector

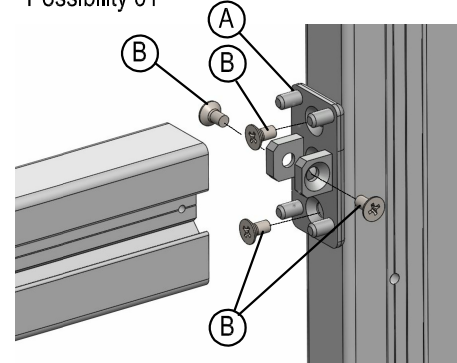
8 x (B) screws M4x8 

2 x (B) metal connector

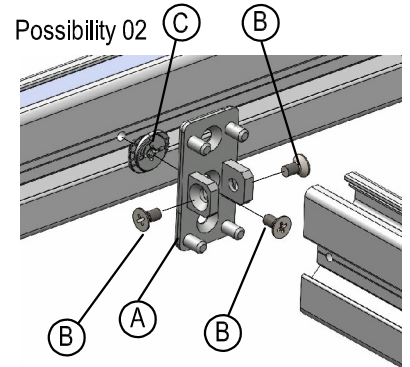
# HÄFELE

806.54.330

Possibility 01



Possibility 02



787A20\_787A35\_230126\_V00

787A20\_787A35\_230126\_V00

Subject to alterations

© 2023 by Häfele SE & Co KG  
Adolf-Häfele-Str. 1 · D-72202 Nagold · www.hafele.com

Subject to alterations

© 2023 by Häfele SE & Co KG  
Adolf-Häfele-Str. 1 · D-72202 Nagold · www.hafele.com